

## TECHNOCUT 1050

Die cutting

## TECHNOCUT 1050 S

Die cutting with stripping function.

### Specifications

#### TECHNOCUT

##### Processed materials

Paper	80 g/m <sup>2</sup>
Carton board max.	2000 g/m <sup>2</sup>
Corrugated board max.	4 mm

##### Capability

Sheet size min.	350 x 400 mm
Sheet size max.	740 x 1050 mm
Speed	7500 boxes/h
Cutting force	400 Ton

##### Converting

Cutting size max.	730 x 1040 mm
Gripper margin min.	9.5 mm

##### Pile height

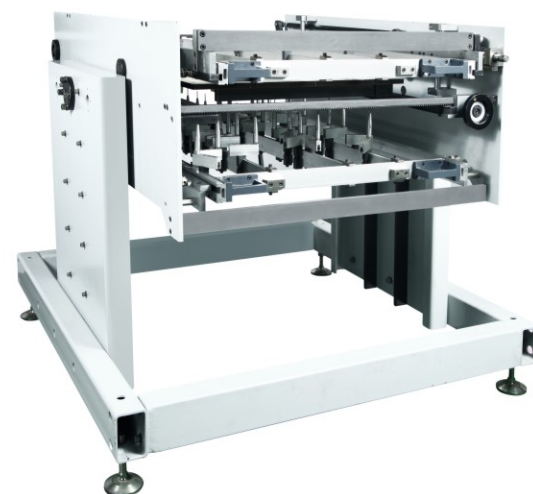
Feeder	1650 mm
Delivery	1300 mm

##### Installation

Power supply	25 kw
Compressed air	6 bar
Air compressor capacity	15 m <sup>3</sup> /h
Air tank capacity	100 L

##### Dimensions&weight

Model	1050	1050 S
Length	6.13 m	7.1 m
Width	4.28 m	4.28 m
Height	2.45 m	2.45 m
Weight	16 Ton	17 Ton



▲ Optional: Stripping make-ready table



▲ Stripping pins



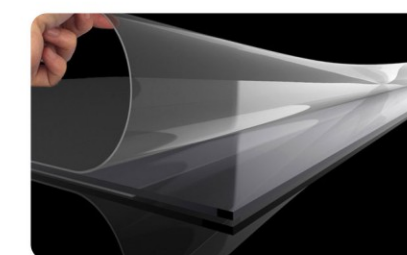
TECHNOCUT 1050 Automatic Die Cutting Machine with or without Stripping Unit. It can run large formats. High precision, high speed, easy to operate, quick changeovers, durability and stable performance. Features that make this machine one of the best options available.



▲ Material



▲ Material



▲ Material