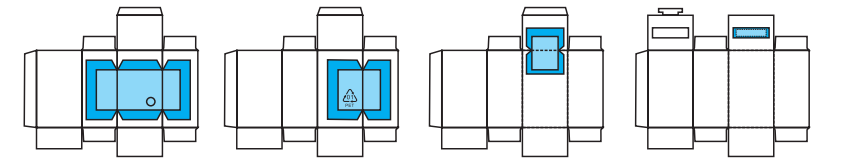
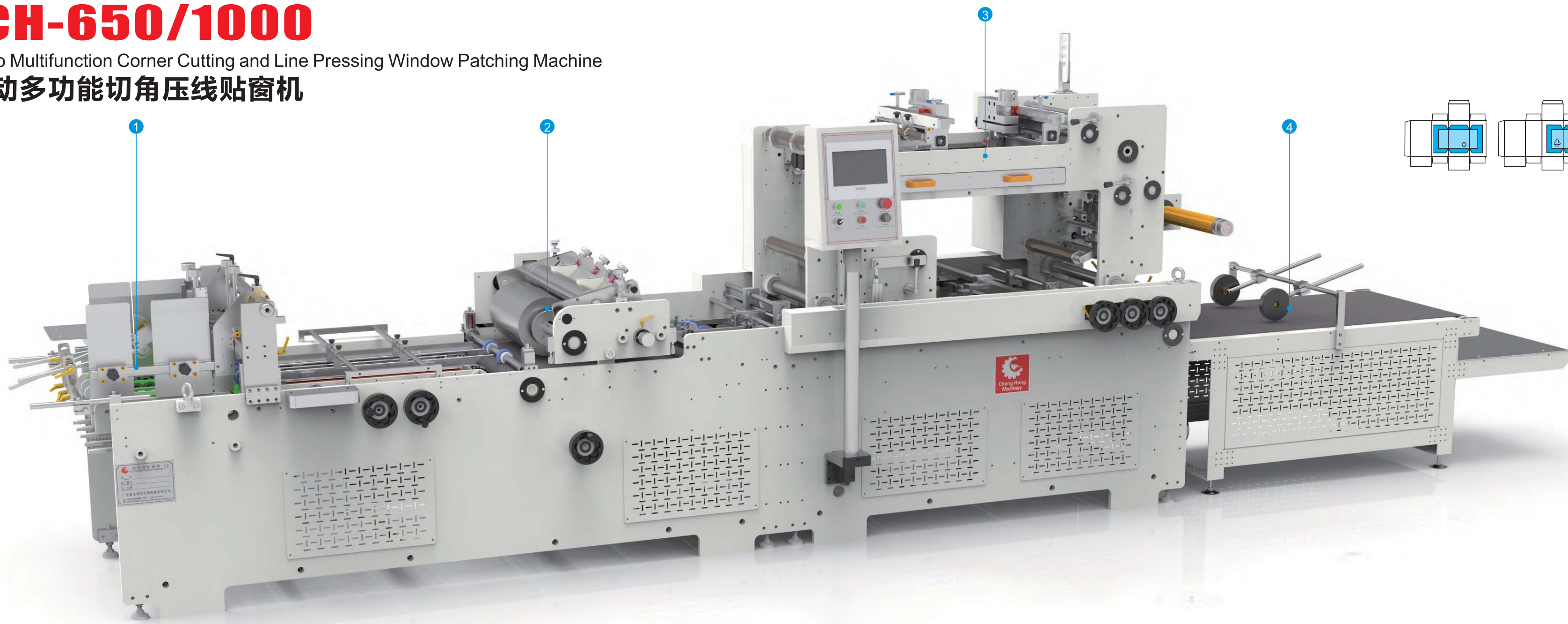


# » CH-650/1000

Full-auto Multifunction Corner Cutting and Line Pressing Window Patching Machine

## 全自动多功能切角压线贴窗机



- ① 给纸系统  
Paper feeding system
- ② 上胶系统  
Gluing system
- ③ 贴膜系统  
Film system
- ④ 收纸系统  
Paper receiving system

## 给纸系统

### Paper feeding system

- 全伺服输纸飞达系统以及多种出纸模式，针对不同厚度，不同规格的纸盒都可进行调整，保证纸盒快速，稳定进入输送带。
- The full servo paper feeder system and a variety of paper mode can adjust cartons of different thickness and specifications to ensure that cartons enter the conveyor belt quickly and stably.

## 上胶系统

### Gluing system

- 采用单条304不锈钢管传动胶水，钢管支架采用刮板式装置，可快速调节胶水厚薄，宽度可调节不浪费胶水，用户可采用柔性模版印胶，安装模版印胶准确、方便、快捷，印胶左右位置可随意调整，前后位置调整采用相位调整器调整，可不停机调整印胶的前后左右位置。滚筒采用自动脱开装置如空纸张时不会将胶水印到皮带上。胶水采用上置倒立瓶装置自动流出，清洁保养更加方便。
- It adopts 304 stainless steel cylinder to drive glue, and use scraper device to adjust the thickness and width of glue and save glue at the great extent. The user may use flexo template for gluing accurately and efficiently. Gluing position can be adjusted left and right reely or front and back via phase regulator while maintaining normal operation. The rollers can be disengaged to avoid glue on belt in case of no paper. Glue container is inverted so that the glue goes out smoothly and it is easy to clean.

## 贴膜系统

### Film system

- 基材可左右、平行调节；
- 采用双气动双压线切角装置，前后左右可调，可根据规格任意调节，切角度料统一收集；
- 压力可调，客户可根据要求调节压痕线的轻重；
- 采用伺服送膜，可不停机调整膜的长短；
- 横切形式：上下刀活动循环剪切；
- 独特的贴膜机构，纸张经过推挡定位贴膜精度可达到0.5mm；
- 带数据记忆功能。
- The base material can be adjusted horizontally.
- Double pneumatic device for making grooves and cutting corner can be adjusted in four directions, and waste material can be collected together.
- The pressure for making grooves can be adjusted.
- The film length can be adjusted without stopping servo motor.
- Cutting mode: the upper and lower cutter moves alternately.
- Special filming mechanism achieves 0.5mm tolerance after pushing, blocking and locating.
- Data memory function.

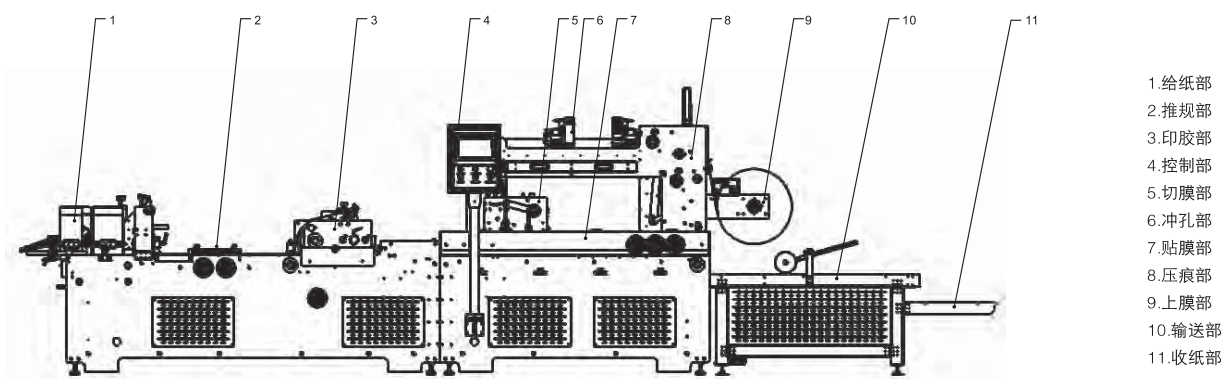
## 收纸系统

### Paper receiving system

- 皮带输送，层叠式收纸机构。
- It adopts belt convey and stacked device to collect paper.



## 机械全图 Mechanical Drawing



## 技术参数 Technical Parameters

机型 Model	CH-650	CH-1000
最大纸张规格 Max Paper Size	600mm × 650mm	600mm × 970mm
最小纸张规格 Min Paper Size	100mm × 80mm	100mm × 80mm
最大开窗尺寸 Max Patch Size	300mm × 300mm	300mm × 400mm
最小开窗尺寸 Min Patch Size	40mm × 40mm	40mm × 40mm
总功率 Power	8 KW	10KW
塑料薄膜厚度 Film Thickness	0.1-0.45mm	0.1-0.45mm
机器重量 Machine Weight	3000kg	3500kg
机器外形尺寸 Machine Size	6.8 × 2 × 1.8 ( m )	6.8 × 2.2 × 1.8 ( m )
最大生产速度 Max.Speed	8000张/小时(PCS/H)	8000张/小时(PCS/H)

由于设计或制造上的必要，可能会更改规格或尺寸，恕不另行通知  
Specification may be slightly adjusted for better use.